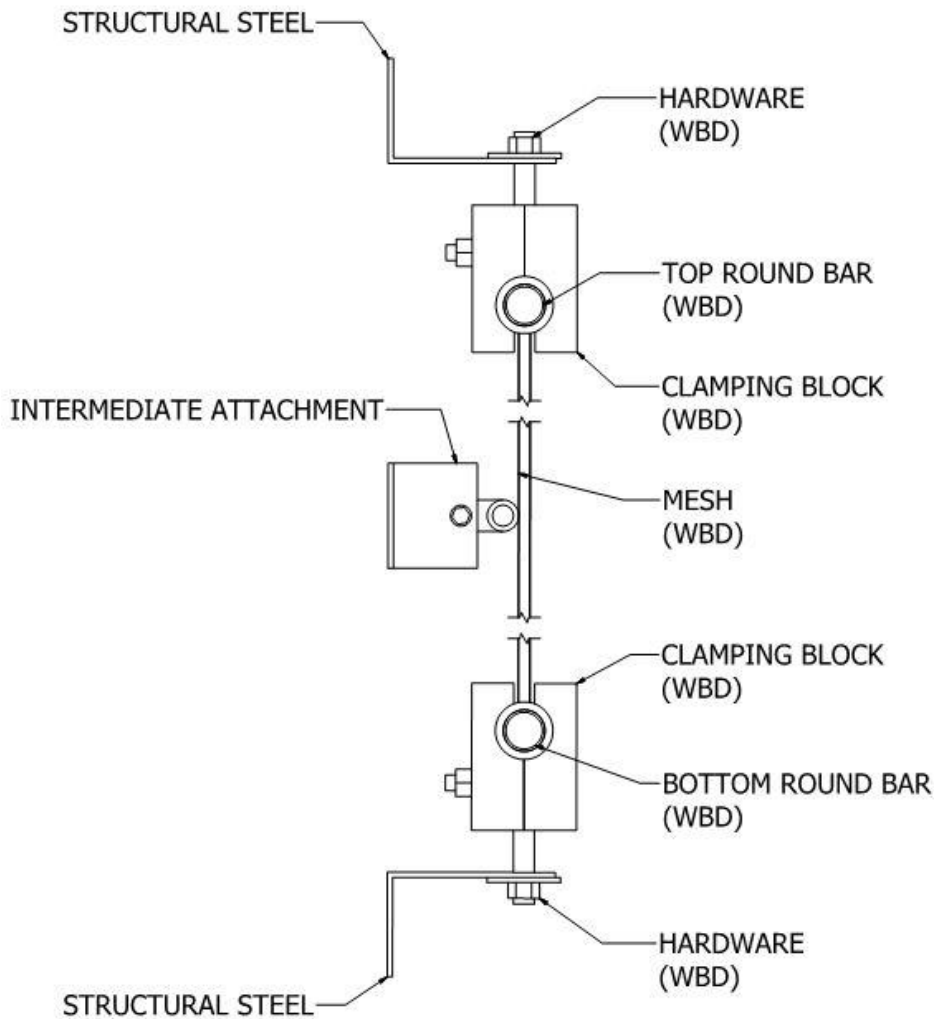
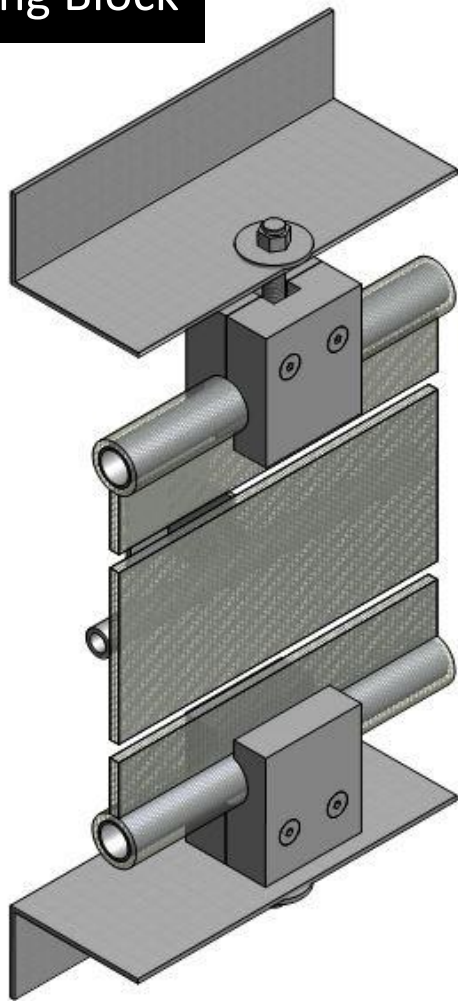


# Clamping Block



**Attachment Specifications**    MAX MESH HEIGHT: 20' | MAX MESH WIDTH 20' | TYPICAL INTERMEDIATE SPACING: 10'

**Compatible Mesh Types**    CLAD | CORBEL | GABLE | KEEPER | LITE | OUTRIGGER | VERGE

**Common Structural Steel**    ANGLE | SQUARE TUBE | RECTANGLE TUBE

PANEL TENSIONED VIA THREADED ROD AND TIED BACK TO INTERMEDIATE POINTS. ATTACHMENT DETAILS MUST BE REVIEWED AND DESIGNED ON A CASE BY CASE BASIS PENDING LOADS, STRUCTURAL REQUIREMENTS, ETC. THIS TENSIONED PANEL ATTACHMENT DETAIL IS GENERIC AND INTENDED FOR REFERENCE ONLY.

Wire By Design architectural wire mesh is manufactured in Lancaster, Pennsylvania. At Wire By Design, the possibilities are only limited by your imagination. In addition to the designs featured in our Product Specifications, we can customize a wire mesh to your particular project needs. To learn more about the exciting and innovative architectural wire mesh designs created at Wire By Design or to schedule a **Lunch & Learn** session, Contact us at **1.800.773.5700** or via email: [sales@wirebydesignco.com](mailto:sales@wirebydesignco.com).