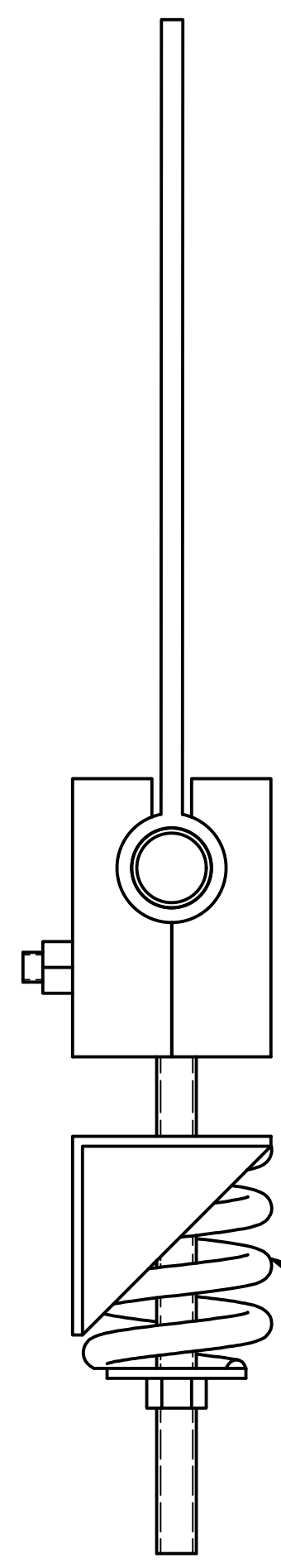


4 3 2 1

D  
C  
B  
A

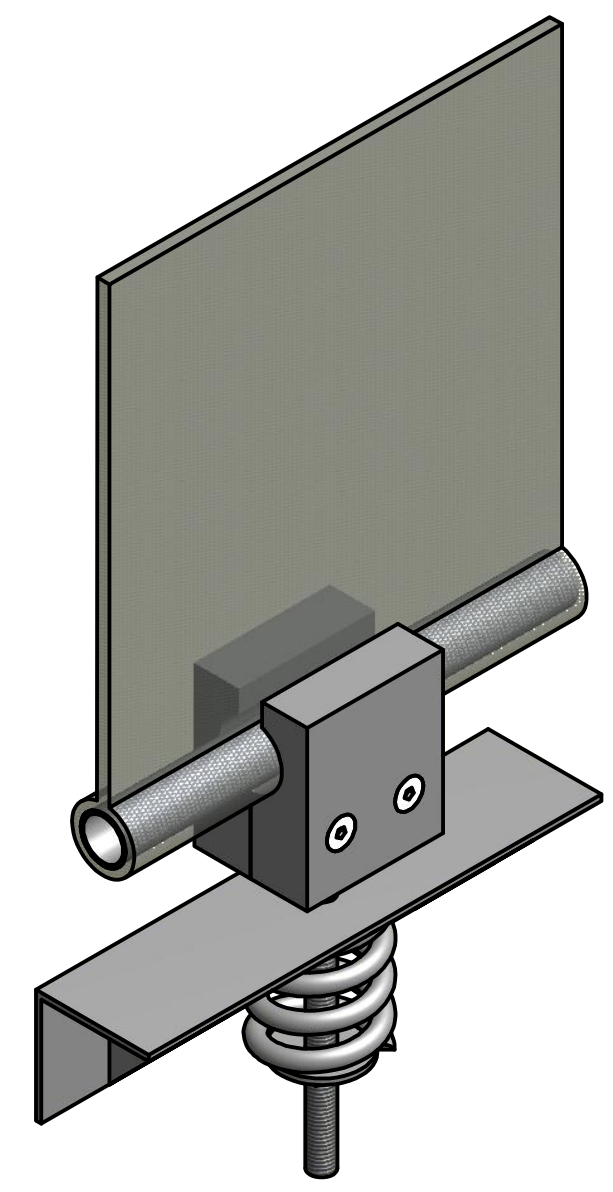
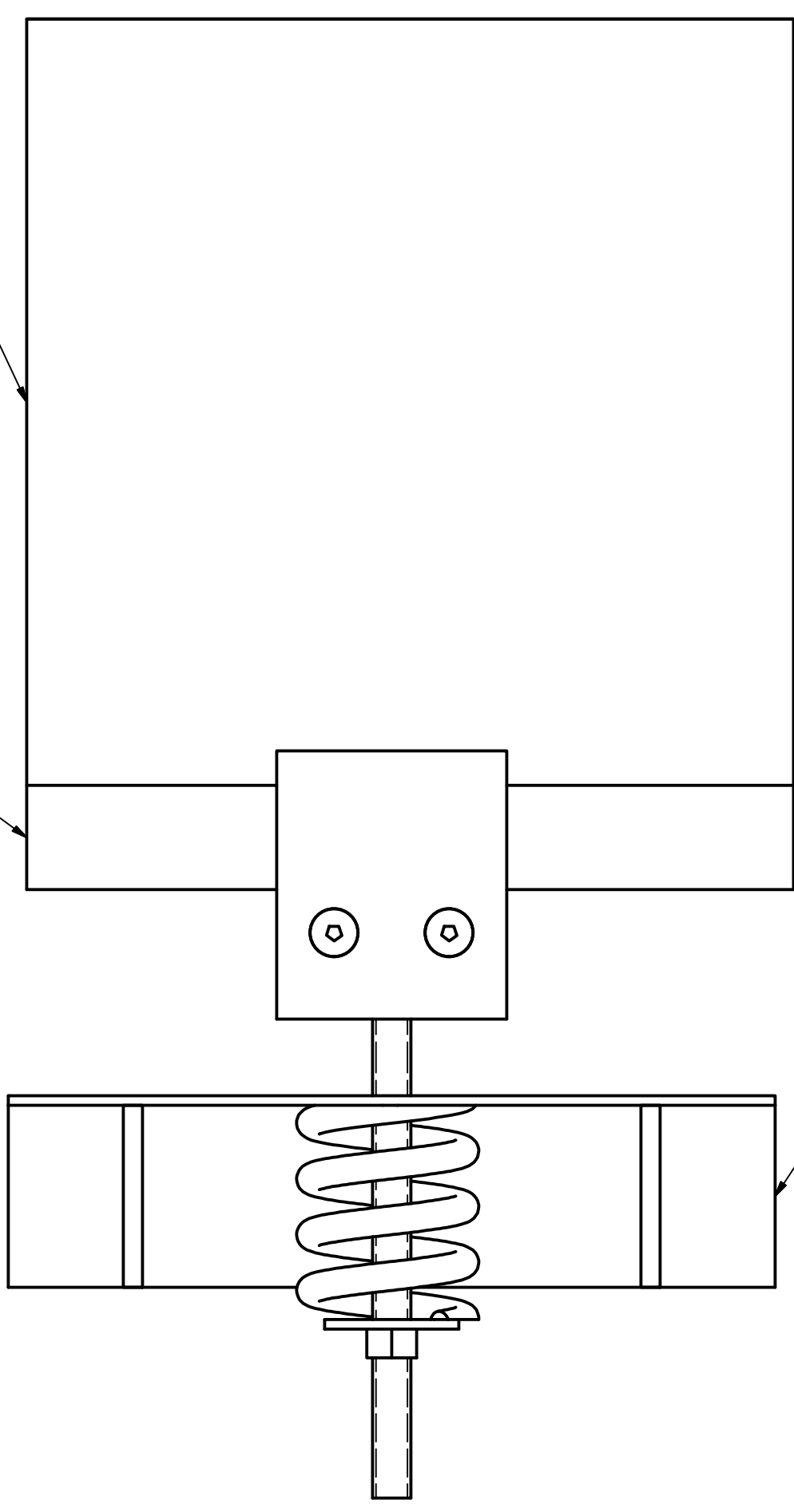
D  
C  
B  
A



COMPRESSION SPRING

1" TUBE TO WRAP  
MASH AROUND

WIRE MESH



ANGLE BY OTHERS

**Wire By Design**  
Architectural Wire Mesh Systems

4 3 2 1